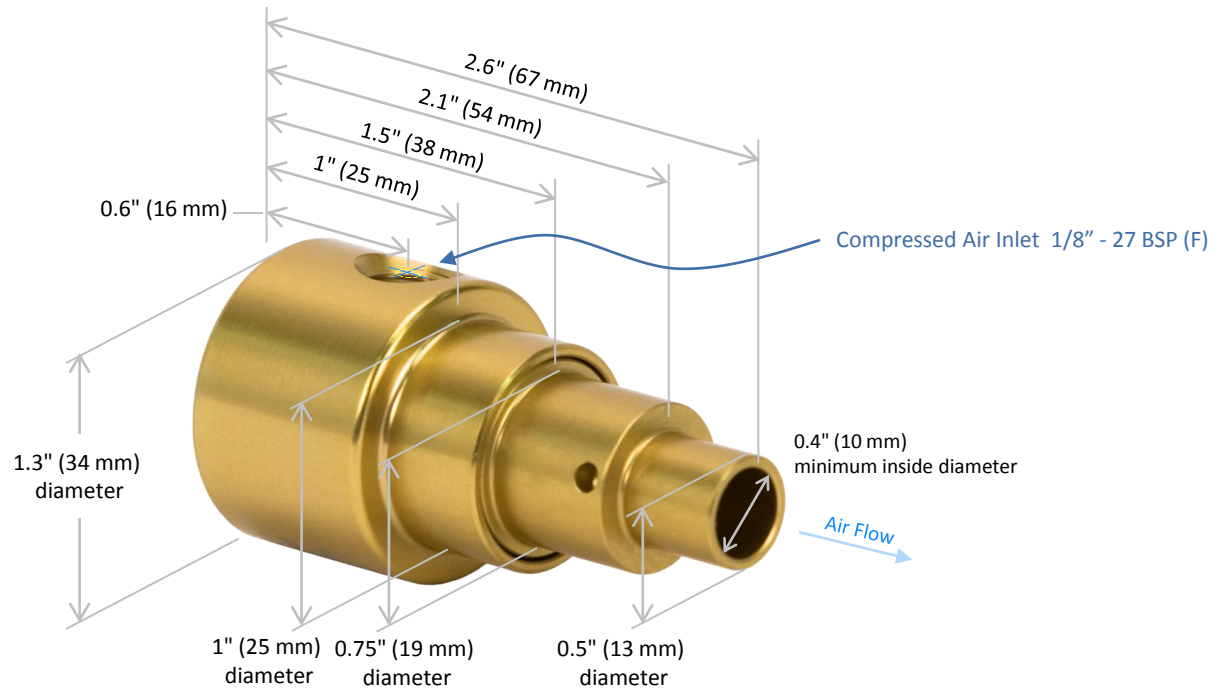


Transvector Jet

Model 901DA



SPECIFICATIONS

| Product | Application | Thrust Power* | | Air Stream Size | | | | Suction Inlet | | Outlet | | Weight | |
|---------|-----------------------------|---------------|------------------|-----------------|----|--------------------------|----|---------------|----|--------|------|--------|----|
| | | | | At Outlet | | 12" (305 mm) from outlet | | inch | mm | inch | mm | oz | g |
| | | Oz at 12" | Grams-f at 30 mm | inch | mm | inch | mm | inch | mm | inch | mm | oz | g |
| 901DA | High Thrust, Focused Output | 14 | 397 | 0.375 | 10 | 3 | 76 | 1.33 | 34 | 0.50 | 12.7 | 2.4 | 70 |

Note: Specifications are for 100 psig (6.9 bar) compressed air.

*Output thrust and air consumption specs are for standard shim sizes. Output thrust can be varied by changing or adding an internal shim. Larger shims give more blow off force and greater air consumption. Contact Vortec for details on alternate shims.